

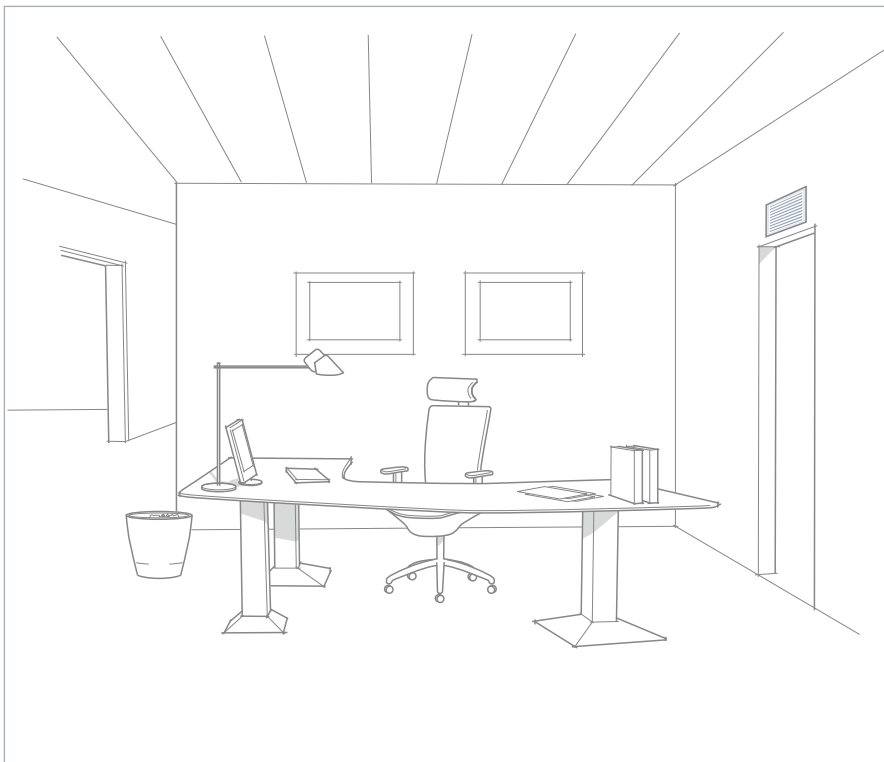
FläktGroup[®]

AIRTREND Ltd.
Predstavništvo u Beogradu
Kumanovska 14
11000 Beograd
Tel: 011 3836886, 3085740
Faks: 011 3444113
e-mail: gobrid@eunet.rs
web: www.airtrend.rs

Transfer air grille OSK

TECHNICAL DATA





OSK TRANSFER AIR GRILLE

OSK is a transfer air grille suitable for use as a transfer air unit for air flow openings between rooms.

QUICK SELECTION

Air flow up to 180 l/s (648 m³/h).

SPECIFICATIONS

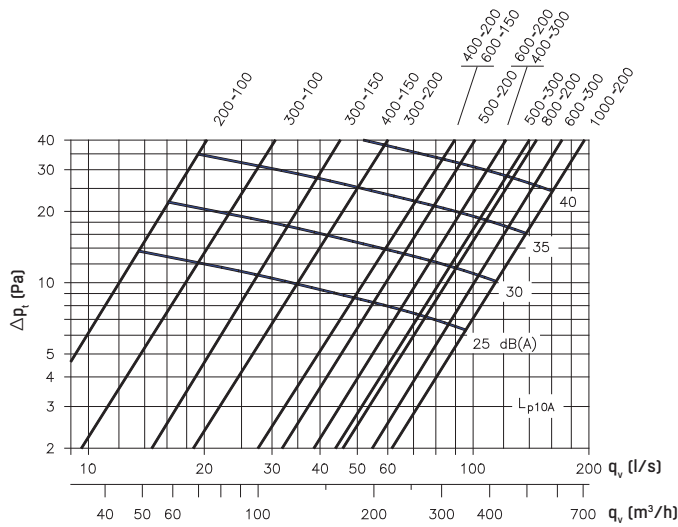
- Aluminium profile stove enamelled in white
- Suitable for wall/door thicknesses of 30-50 mm

PRODUCT CODE EXAMPLE

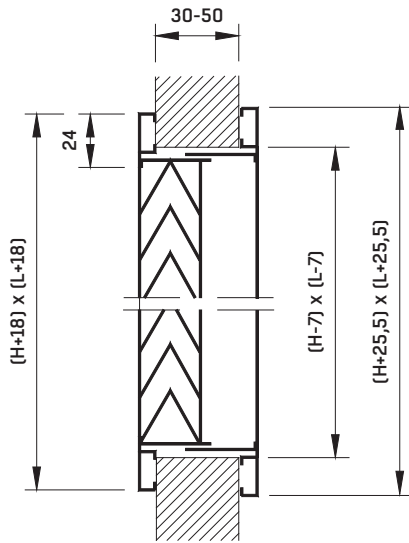
Transfer air grille OSK-400-200

SELECTION, DIMENSIONS, GENERAL AND PRODUCT CODE

SELECTION DIAGRAM



DIMENSIONS



The gradation of the grilles in width is 100 mm and in height is 50 mm, in the design of 200x100 to 1200-500.

DEFINITIONS

q_v	Air flow	l/s, m³/h
Δp_t	Total pressure drop	Pa
L_{p10A}	Sound pressure level with 4 dB room attenuation (10 m² sab)	dB(A)

CONSTRUCTION

OSK: grille + opposite frame
 OS: grille without frame

MATERIAL AND SURFACE FINISH

The grille and opposite frame are made of aluminium profile and stove enamelled in white. To special order the grille is also available in other colours.

INSTALLATION

The grille and frame are installed into the door or wall with countersunk screws \varnothing 3.5.

PRODUCT DESCRIPTION

Transfer air grille OSK manufactured by FläktGroup.

PRODUCT CODE

Transfer air grille with opposite frame
 Transfer air grille without frame

OSK-aaaa-bbb
 OS-aaaa-bbb

Size, width-height (aaaa-bbb)

EXCELLENCE IN SOLUTIONS

FläktGroup is the European market leader for smart and energy efficient Indoor Air and Critical Air solutions to support every application area. We offer our customers innovative technologies, high quality and outstanding performance supported by more than a century of accumulated industry experience. The widest product range in the market, and strong market presence in 65 countries worldwide, guarantee that we are always by your side, ready to deliver Excellence in Solutions.

PRODUCT FUNCTIONS BY FLÄKTGROUP

Air Treatment | Air Movement | Air Diffusion | Air Distribution | Air Filtration
Air Management & ATD's | Air Conditioning & Heating | Controls | Service

» Learn more on www.flaktgroup.com
or contact one of our offices